

Nominal data

Type	5312 /2 TDHP	
Nominal voltage	VDC	12
Nominal voltage range	VDC	8 .. 16
Speed	min ⁻¹	6000
Power input	W	43
Min. ambient temperature	°C	-20
Max. ambient temperature	°C	70
Air flow	m ³ /h	410
Sound power level	B	7.7
Sound pressure level	dB(A)	70

ml = Max. load · me = Max. efficiency · fa = Running at free air · cs = Customer specs · cu = Customer unit
Subject to alterations

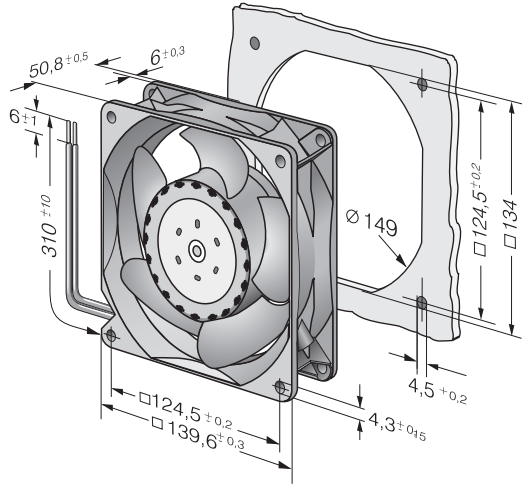
Technical features

General description	Free air power consumption, these values may be considerably higher at the operating point.
Impeller material	Fibreglass-reinforced plastic (PA)
Mass	0.900 kg
Dimensions	140 x 140 x 51 mm
Housing material	Die-cast aluminium
Direction of air flow	Inlet over bars
Direction of rotation	Counterclockwise, looking at rotor
Bearing	Ball bearings
Lifetime L10 at 40 °C	70000 h
Lifetime L10 at maximum temperature	35000 h
Connection line	With single strands AWG 20 and AWG 22, TR 64
Motor protection	Protected against reverse polarity and locking.
Option	Additional inputs and outputs.

5312 /2 TDHP

DC axial compact fan

Product drawing



Charts: Air flow

